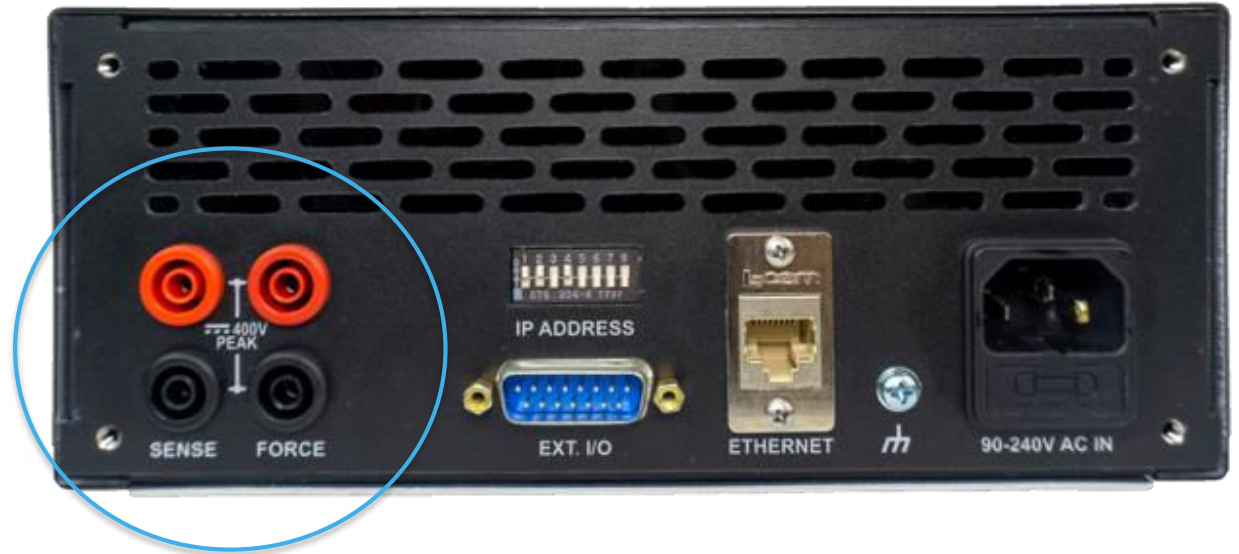


Introducing the SpikeSafe SMU Force Sense Selector Switch



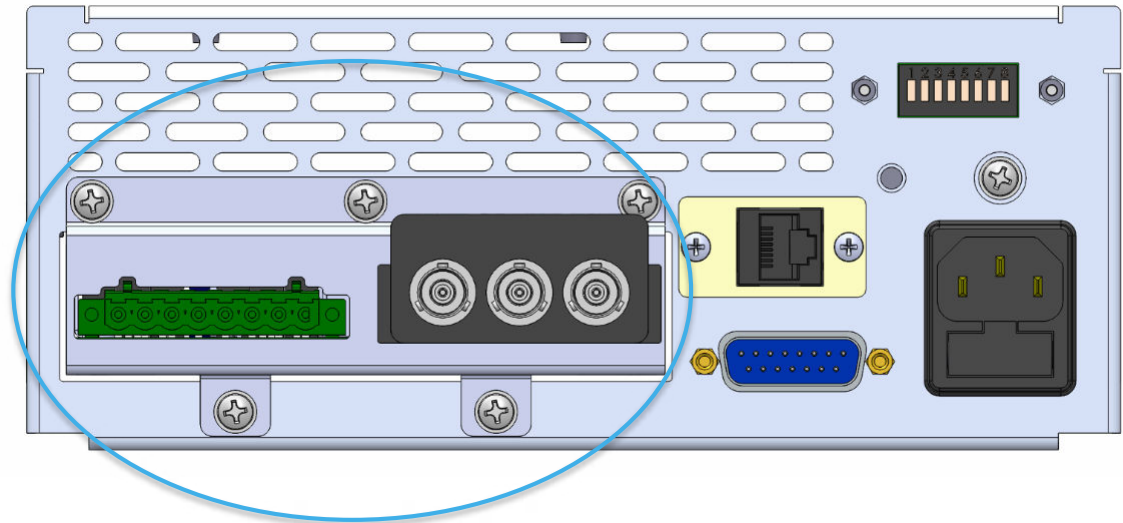
With SpikeSafe SMU - Simultaneously Source accurate current Measure precise voltage

**Ships with
Banana Jack
Connections**

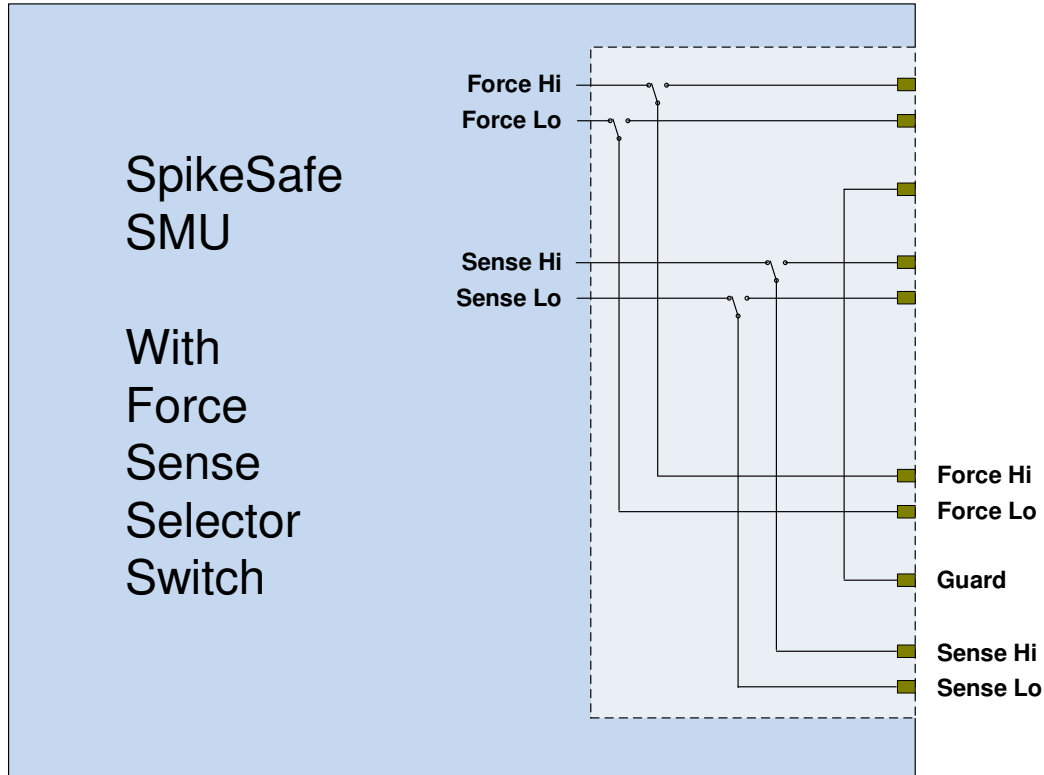


Introducing the Force Sense Selector Switch

**Industry
standard
connectors**

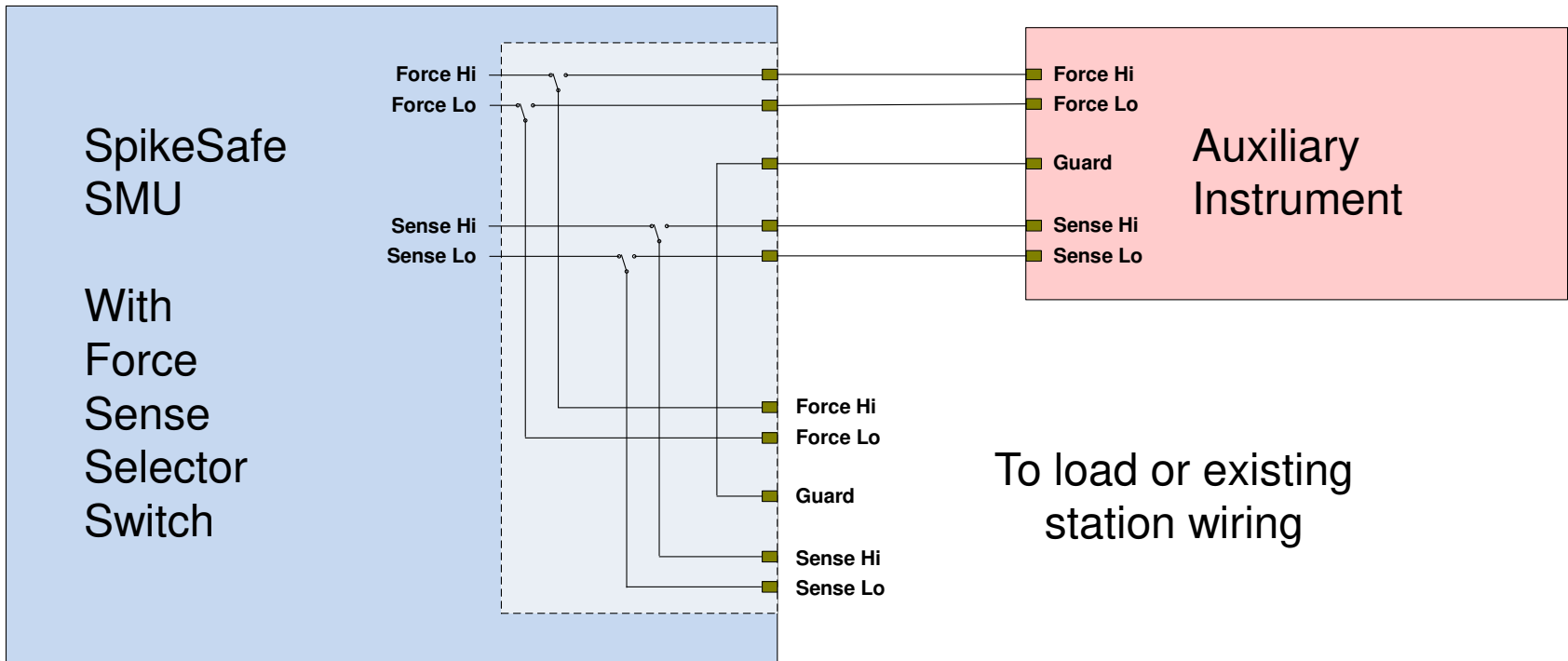


Connect/Disconnect Function Speeds Production Throughput

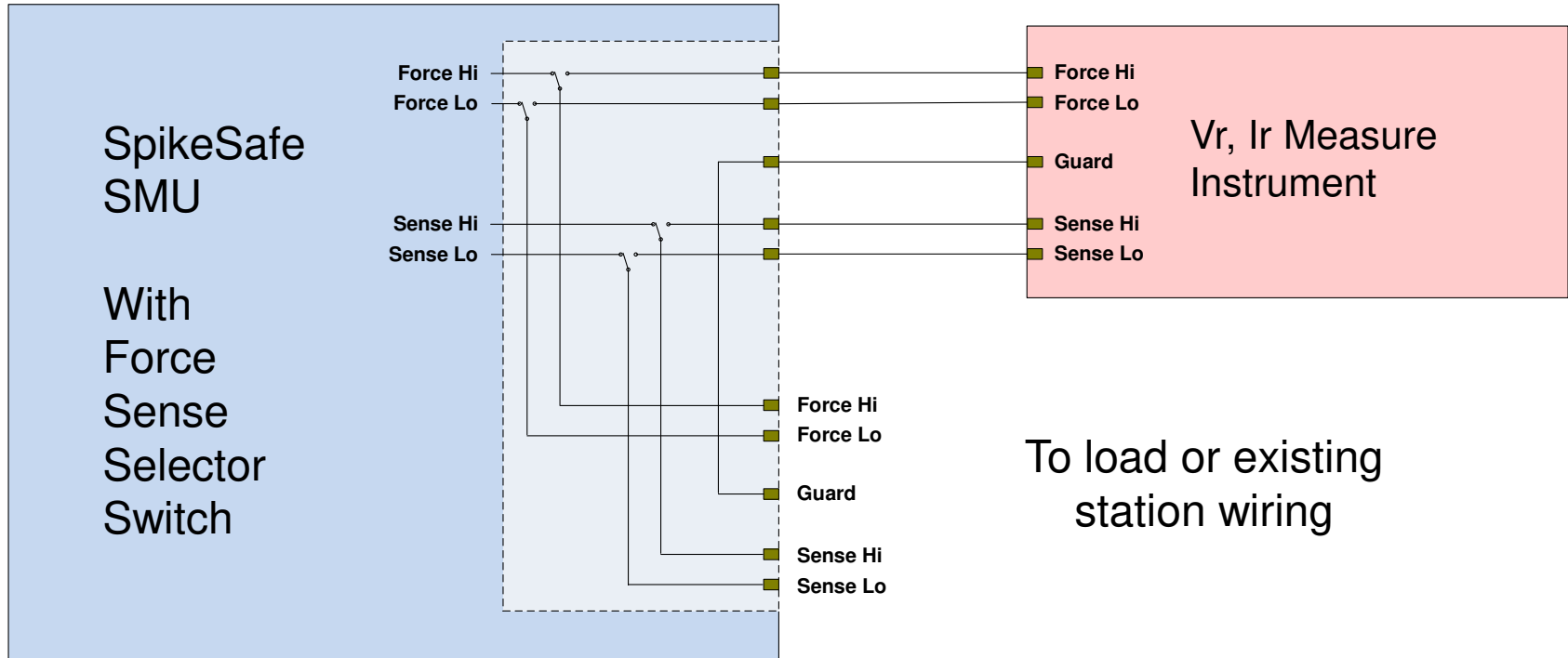


To load or existing
station wiring

A/B Switch Function Simplifies System Eliminates Need for External Switch

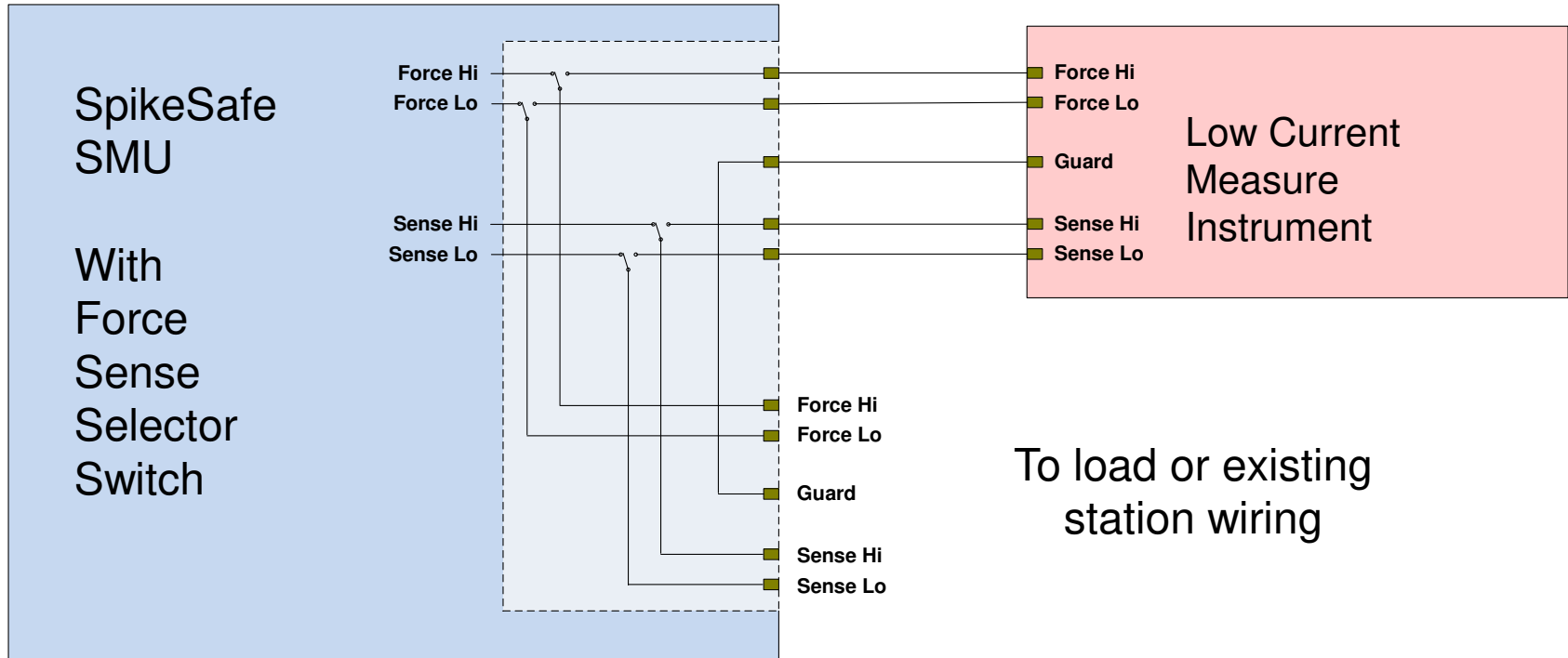


Vr, Ir Measurements Use An Auxiliary Instrument



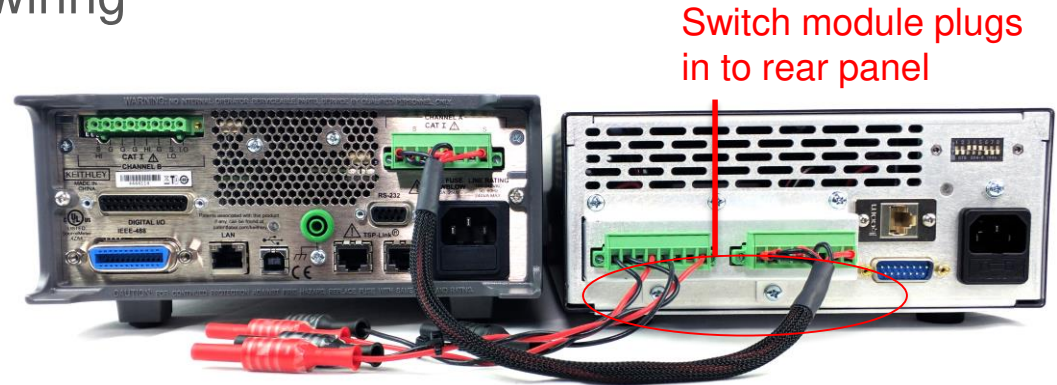
Picoamp Leakage Measurements

Force Sense Selector Switch includes guarding



Upgrade Existing Systems to Increase Capabilities Use SpikeSafe SMU and Force Sense Selector Switch

- Maintain existing test programs and algorithms
- Add high power and fast pulse testing
- Keep existing load wiring



Force Sense Selector Switch Connections for Popular Source Measure Units



Keithley 24xx example using banana jacks.

Keithley 26xx example using triax load wiring.



Specify Force Sense Selector Switch When Ordering Your SpikeSafe SMU

- Speed testing with Connect/Disconnect
- Leverage best of best instrumentation for your tests
- Simplify Test Station Architecture

Innovate



See



Test